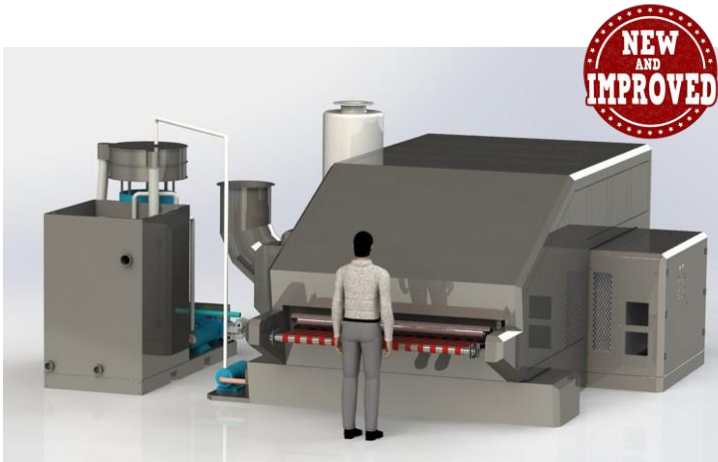




# CDF – FLAT MAT WASHER

Patent: US 10,350,648,648 B2

washes & dries up to 345 4'x6' mats per hour



1 – Operator / 1 - Touch

The new CDF-Systems flat mat washer is the perfect solution for serious floor mat service providers.

The lay-flat design eliminates the centrifugal forces of traditional wash systems eliminating the primary cause of rippled mat edging.

High productivity and low water use makes this system ideal for drought-stricken regions.

The CDF-Flat Mat Washer can process a wide range of mat types, including carpet top and bi-level needle punch. Heavy and rigid matting is no problem for this technology.

## Utility Consumption

- Electrical 468/480 volt
- Electrical – running amps 280
- Water Consumption – 3 to 5 gpm
- Natural Gas – none

## Sound / Noise

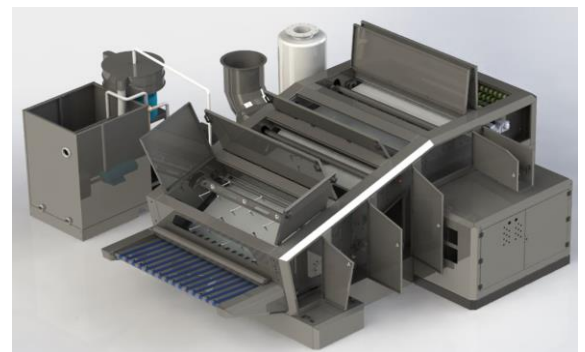
- Front end load – 96.6 dB(a)
- Discharge end – 113.4 dB(A)

## Maintenance

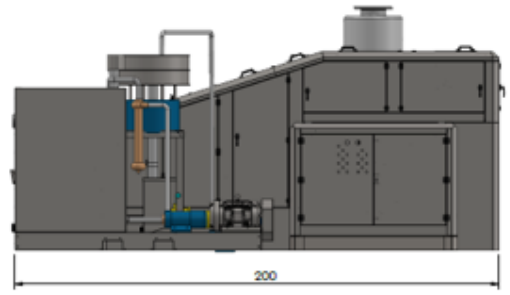
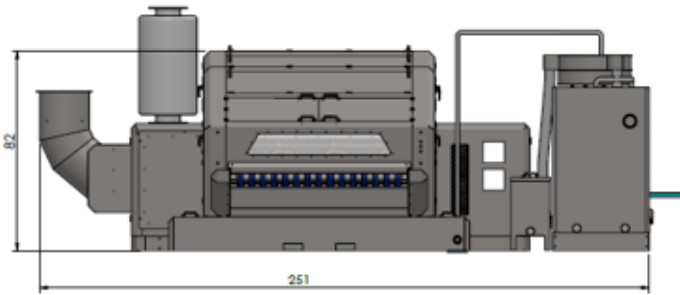
- Daily – water filtration – 10 minutes
- Weekly – cleaning nozzles – 20 minutes

## Shipping

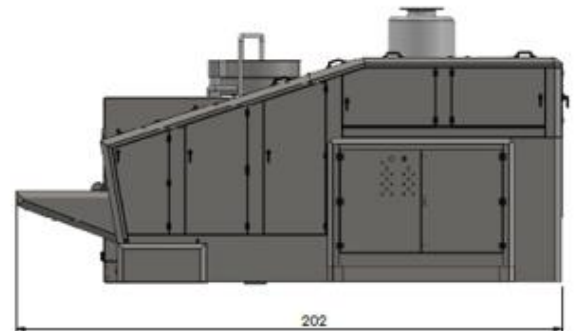
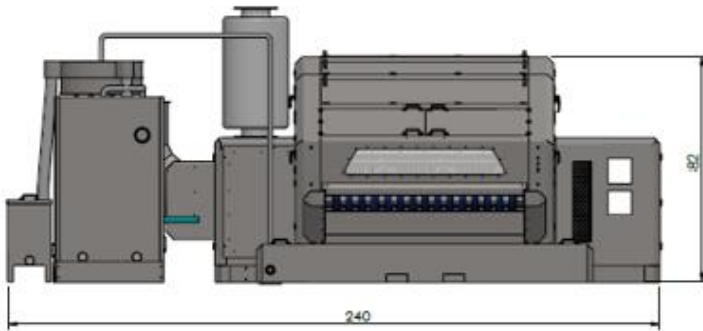
- 23,000 lbs.
- Ships in 3 pieces



# CDF – FLAT MAT WASHER - RH

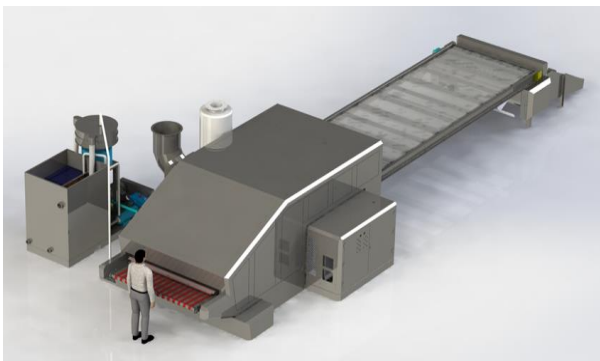


# CDF – FLAT MAT WASHER - LH



# CDF – FLAT MAT WASHER

optional: auto-discharge to auto-roll



## Order Details

- 50% deposit with order
- 50% prior to shipping
- Manufacture: 4-6 weeks from date deposit is received.
- Ships FOB Piney, Manitoba
- All taxes are extra
- 24-month warranty



20113, 92Ave Langley, B.C. V1M-3A5 403-371-1691